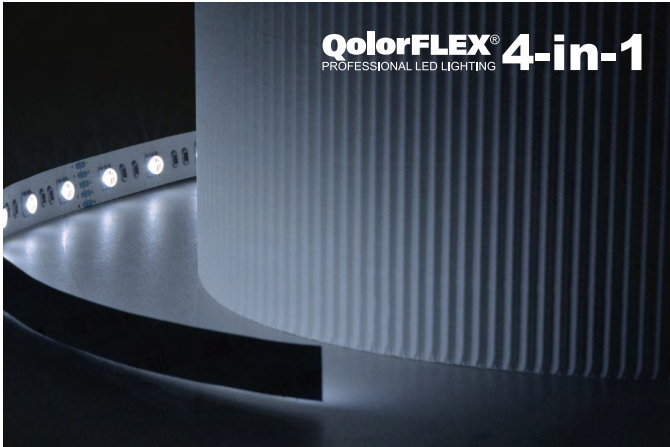
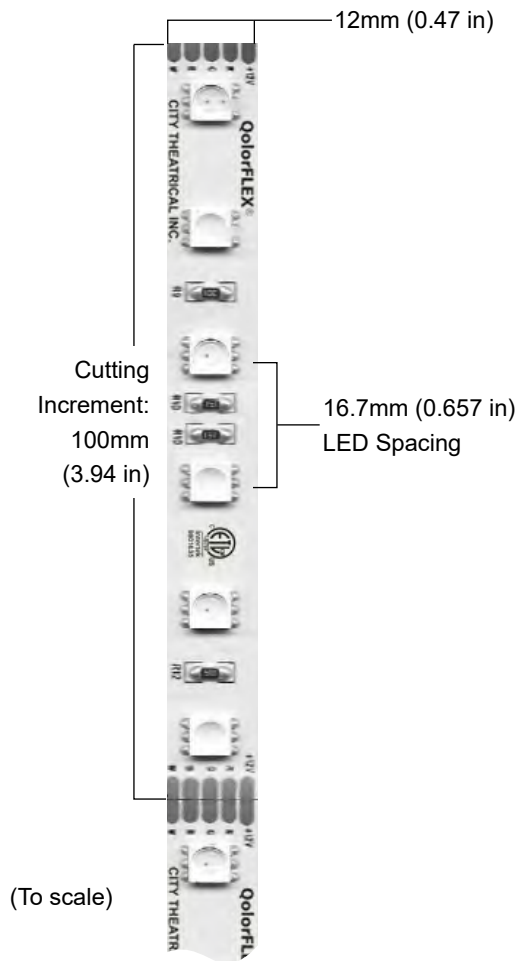


**QolorFLEX® QUAD CHIP LED TAPE,
RGB + Cool White
5050-24-Q-RGBCW-60-5-20-1**



QolorFLEX Quad Chip LED Tape, RGB + Cool White (P/N 5050-24-Q-RGBCW-60-5-20-1) is an interior grade 24V Quad Chip 4-in-1 RGBCW LED Tape with a high output brightness and the ability to create a wide spectrum of colors when used with a DMX color control system. It is ideal for use in film, video and theatrical applications and is available in full 5 meter reels and sample strips.



SPECIFICATIONS:

| Physical | | |
|-------------------|--------|-------------|
| Length | 5m | (16.404 ft) |
| Width | 12mm | (0.47 in) |
| Cutting Increment | 100mm | (3.94 in) |
| LED Spacing | 16.7mm | (0.657 in) |
| Backing Color | White | |

| Output | |
|-----------------------------|--------------------|
| Color(s) | RGB + Cool White |
| Color Temperature | N/A |
| Wavelength | 622/518/468/6500°K |
| Beam Angle | 120° |
| Brightness | 400 lumens/m |
| Color Rendering Index (CRI) | 80 |




| Electrical | |
|--------------------------|-----------|
| Operating Voltage | 24VDC |
| Current | 2.5A |
| Power Consumption (w/5m) | 60 w/5m |
| Power Consumption (w/ft) | 3.66 w/ft |
| Density | 60 LEDs/m |
| LED Chip Size | 5050 |

| Product Information | |
|---------------------|----------------|
| Use Environment | Indoor |
| Dimmable | Fully Dimmable |
| Average Life | 25,000 hours |
| Warranty | Two years |
| IP Rating | IP20 |
| Compliance | ETL, CE, RoHS |















QolorFLEX LED Tape Accessories


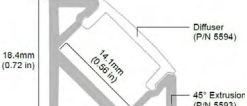

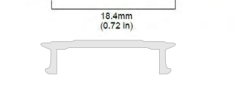

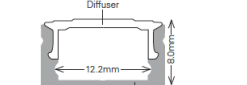


Ribbon Cables:

| P/N | NAME | |
|---------|--|---|
| 6607 | Ribbon Cable, Six Conductor, 18 GA |  |
| 6600 | Ribbon Cable, Five Conductor, 18 GA |  |
| 6600-20 | Ribbon Cable, Five Conductor, 20 GA (thinner than 18 GA) |  |
| 6608 | Ribbon Cable, Four Conductor, 18 GA |  |
| 6606 | Ribbon Cable, Three Conductor, 18 GA |  |
| 6605 | Ribbon Cable, Two Conductor, 18 GA |  |









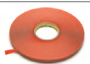


Connectors:

| P/N | NAME | |
|------|--|---|
| 6612 | Terminal Block Connector, Six Pin, Male |  |
| 6613 | Terminal Block Connector, Six Pin, Female |  |
| 6610 | Terminal Block Connector, Five Pin, Male |  |
| 6611 | Terminal Block Connector, Five Pin, Female |  |
| 5673 | Terminal Block Connector, Four Pin Male |  |
| 5674 | Terminal Block Connector, Four Pin Female |  |
| 5671 | Terminal Block Connector, Three Pin Male |  |
| 5672 | Terminal Block Connector, Three Pin Female |  |
| 5657 | Terminal Block Connector, 2-Pin Male |  |
| 5658 | Terminal Block Connector, 2-Pin Female |  |
| 6615 | Female barrel to screw terminal connector |  |
| 6616 | Male barrel to screw terminal connector |  |

Extrusions and Diffusers:

| P/N | NAME | |
|------|--|--|
| 6693 | Aluminum Extrusion, 45-Degree, 2m for 45-Degree LED Tape installations |   |
| 6694 | Diffuser for 45-Degree Extrusion, 2m |   |
| 6690 | Aluminum Extrusion, Low Profile, 2m |   |
| 6695 | Diffuser for Low Profile Extrusion, 2m |   |

End Caps, Tape, and Clips:

| P/N | NAME | |
|--------|--|---|
| 6690-1 | End Cap for 6690 Aluminum Extrusion (Pack of 10) |  |
| 6690-2 | End Cap with hole for 6690 Extrusion (Pack of 10) |  |
| 6671-1 | End Cap for 6693 45-Deg Extrusion (Pack Of 10) |  |
| 6671-2 | End Cap with hole for 6693 45-Deg Extrusion (Pack Of 10) |  |
| 6680 | Waterproof End Caps for Outdoor tapes (Packs of 10) | |
| 6682 | 9mm w/ 2 holes |  |
| 6682 | 8mm (no holes) |  |
| 6684 | 12mm w/ 4 holes |  |
| 6686 | 12mm (no holes) |  |
| 6625 | 3M VHB Double Sided Tape Roll, 72 yards |  |
| 6630 | Outdoor Tape Clips and Screws (Pack of 12) |  |
| 6632 | Clips for 6693 45-Degree Extrusion (Metal) for LED Tape (Pack Of 12) |  |

QolorFLEX Connect 10

P/N 5748



QolorFLEX Connect 10 is a practical and time saving solution for managing the multiple wire runs and numerous connections needed for large scale installations of LED tape.

Developed to complement QolorFLEX 5-in-1 LED Tape, QolorFLEX Connect 10 is a "plug-in box" that can connect up to nine runs of five, four, three, dual, or single color LED tape to a low voltage low dimmer. Each QolorFLEX Connect 10 uses 10 six position detachable Phoenix terminal block connectors to achieve a quick and well-ordered installation. QolorFLEX Connect 10 is constructed with a Nema 4 IP 20 steel enclosure, and offers a maximum current per device of 40A and maximum load per terminal of 20A.