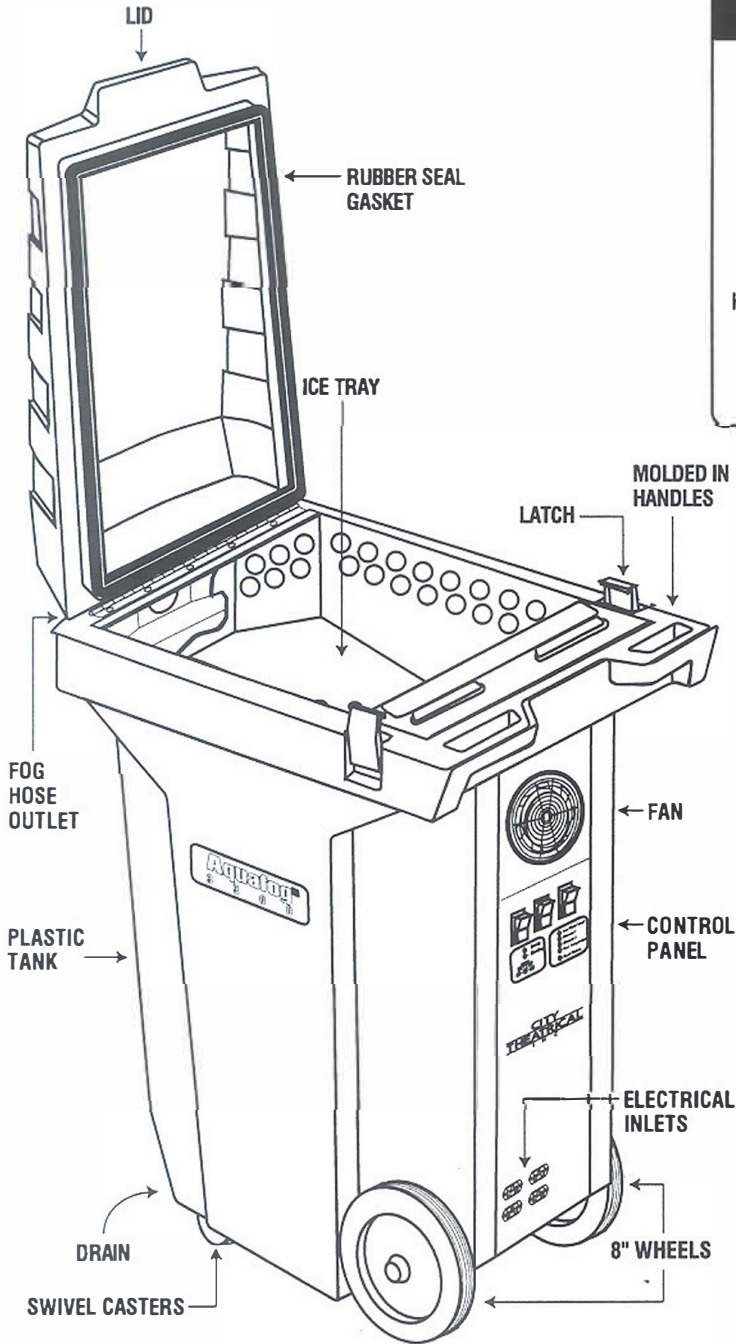


# CITY THEATRICAL

NEW YORK · LONDON

475 Barell Ave., Carlstadt, NJ 07072  
 Voice: 800.230.9497, 201.549.1160  
 Fax: 201.549.1161

# Aquafog 3300™



## TANK

Material: High temperature plastic polymer  
 Dimensions: 21 1/2" x 31" x 38" (including casters) (546mm x 787mm x 965mm)  
 Water capacity: 28 gallons (106 litres)  
 Ice capacity: 75 lbs. (34 kg.)  
 Casters: 3 1/2" (88.9mm) swivel front, 8" (203mm) fixed rear 4" (101.6 mm) molded into tank  
 Hose vent: 4" (101.6mm) molded into tank  
 Fill Door: 20" x 30" (508mm x 762mm)  
 Weight empty: 115 lbs. (52kg.)  
 Weight fully loaded: 455 lbs. (208.19 kg.)

## PUMP

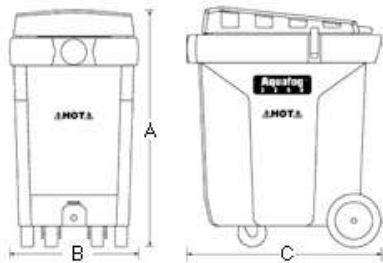
Pump: Stainless steel 10GPM (37.85 litres/min.)  
 Fittings: All stainless steel, brass or high temperature plastics

## ELECTRICAL

Voltage: 120v, 220v available  
 Heating elements: 120v 1650 watt (two) screw in  
 220v 2000 watt (two) screw in  
 Thermostat: Adjustable automatic control (100°F-160°F) (38°C-71°C)  
 Overtemperature: 175°F (79°C) cutout, manual reset  
 Low water cutout: Turns off heaters when water is low  
 Blower: 240 CFM axial (6.79 CMM)  
 Circuit breakers-Type: 20 amp on heating elements, 2 amp (lighted) on fan and pump

# Aquafog™

3 3 0 0



Name	A	B	C	P/N
Aquafog 3300™ 120v	38" 96.52cm	21 54.61cm	1/2"31" 78.74cm	3300
Aquafog 3300™ 230v	38" 96.52cm	21 54.61cm	1/2"31" 78.74cm	3303

## Specifications

### Tank

Material	High temperature plastic polymer
Dimensions	21 1/2" x 31" x 38" (including casters) (546mm x 787mm x 965mm)
Water capacity	28 gallons (106 litres)
Ice capacity	75 lbs. (34 kg.)
Casters	3 1/2" (88.9mm) swivel front, 8" (203mm) fixed rear
Hose vent	4" (101.6mm) molded into tank
Fill Door	20" x 30" (508mm x 762mm)
Weight empty	115 lbs. (52kg.)
Shipping weight	130 lbs. (59kg.)
Weight fully loaded	455 lbs. (208.19kg.)

### Plumbing

Pump	Stainless steel 10GPM (37.85 litres/min.)
------	---

Fittings	All stainless, brass or high temperature plastic
<b>Electrical</b>	
Voltage	120v, 230v available
Heating elements	120v 1650 watt; 230v 3000 watt (two) screw in
Thermostat	Adjustable automatic control (100°F-160°F) (38°C-71°C)
Overtemperature:	175°F (79°C) cutout, manual reset
Low water cutout	Turns off heaters when water is low
Blower	240 CFM axial (6.799 CMM)
Circuit breakers-Type	20 amp on heating element 2 amp (lighted) on fan & pump