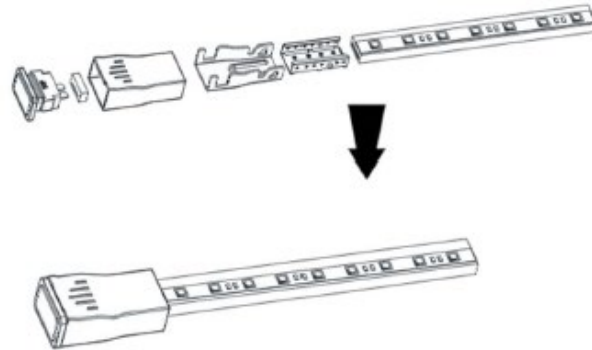


ProFlex LED Strip Connector Guide

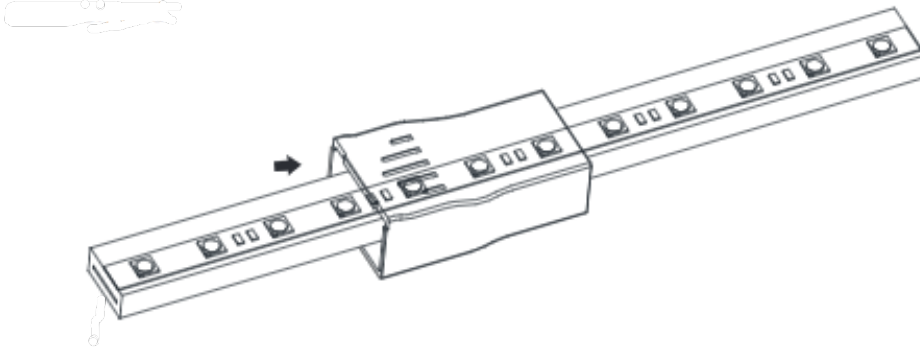


The following instructions are applicable for the lead connectors, jumper connectors, and end cap for the Eluxtra™ ProFlex strip.

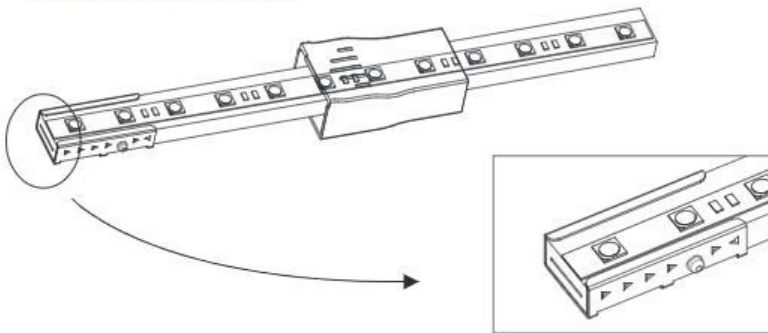
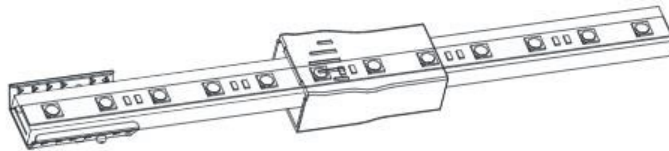
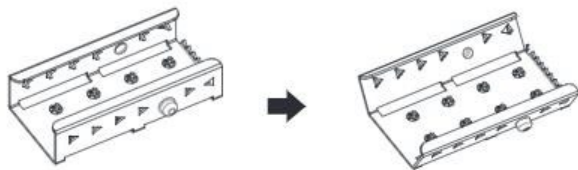
Note: Do not use any glue when installing connectors as the glue may damage the strip or prevent the connectors from working properly. Only use approved accessories when using Eluxtra™ ProFlex LED Strip.

Eluxtra™ products are exclusively available for purchase through Environmental Lights and City Theatrical.

1. Slide the clear plastic cover over the strip with the wide opening facing the cut end where the connector will be installed.



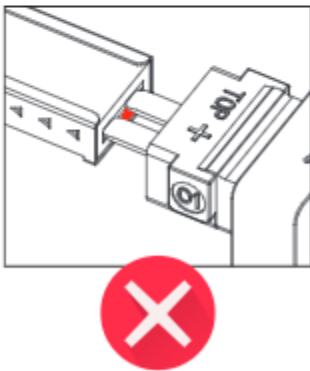
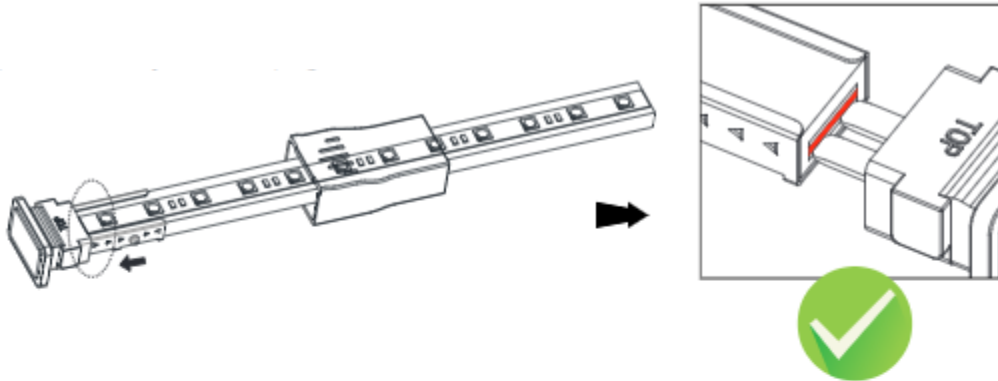
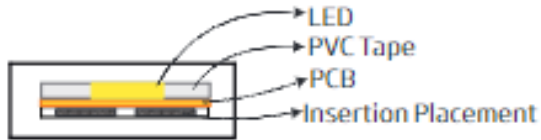
2. Unfold the metal clip and then install the metal clip onto the strip ensuring that it lines up with the edge of the strip.



Note: be sure to bend the metal clip so that it is snug against the strip as shown above.

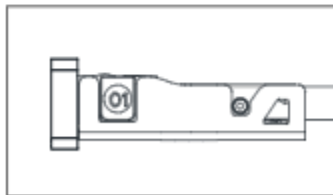
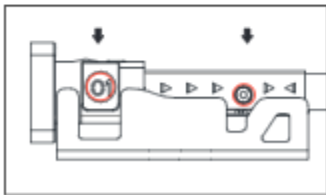
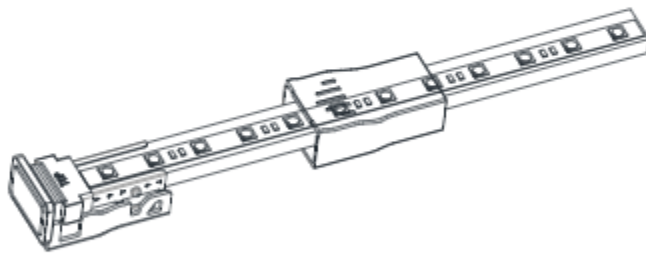
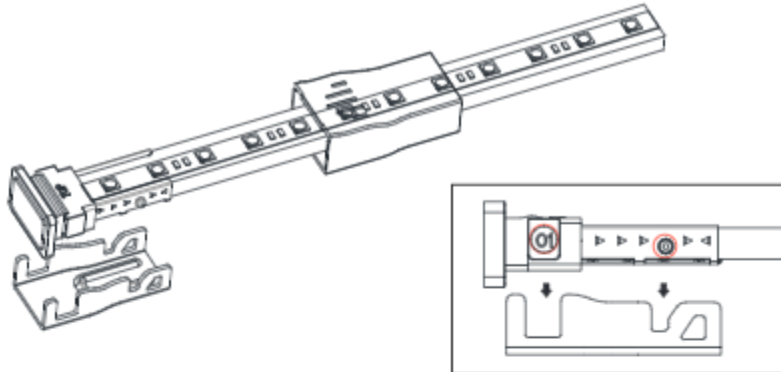
Eluxtra™ products are exclusively available for purchase through Environmental Lights and City Theatrical.

3. Insert the connector pins into the strip ensuring that the connector pins are inserted below the PCB. Inserting the connector pins incorrectly will result in failure of the strip, connector, or both.



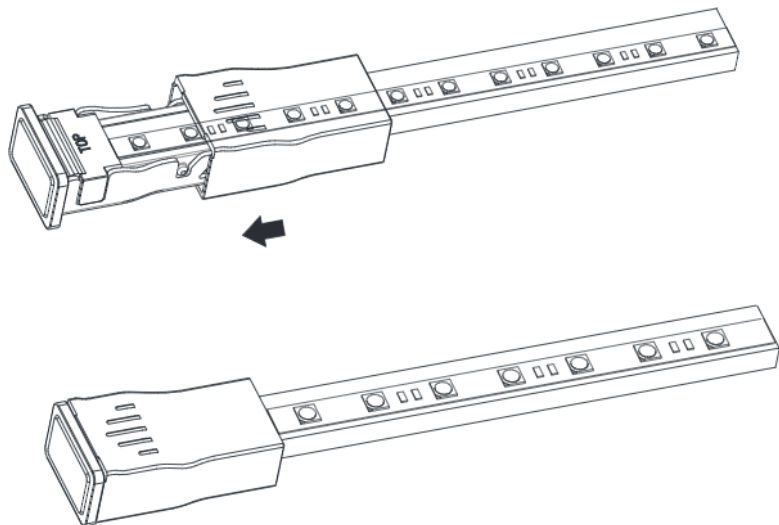
Eluxtra™ products are exclusively available for purchase through Environmental Lights and City Theatrical.

- Slide the U steel plate onto the entire assembly to ensure that the anti-skidding clip and the tail plug are properly aligned.



Eluxtra™ products are exclusively available for purchase through Environmental Lights and City Theatrical.

5. Slide the clear cover over the entire assembly until you hear it “snap” in place.



Eluxtra™ products are exclusively available for purchase through Environmental Lights and City Theatrical.