

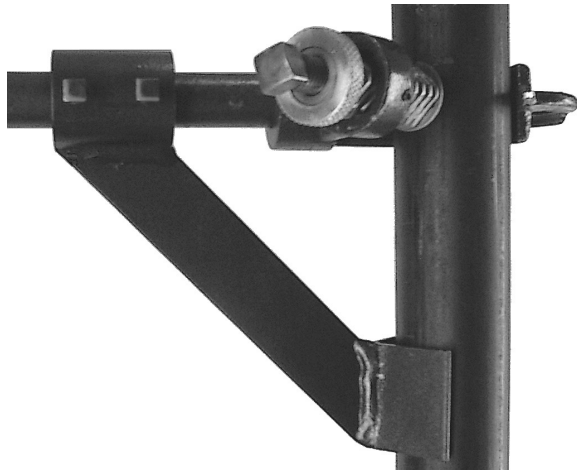
DOs & DON'Ts

DO NOT:

- Use for any purpose for which this product is not intended.
- Hang or suspend personnel from the Safer Sidearm Junior.
- Weld or modify the Safer Sidearm Junior in any way.

DO:

- Use safety cables for all your equipment.
- Make sure your boom position is structurally sound.



CITY THEATRICAL I N C

INTRODUCTION AND SAFETY INSTRUCTIONS FOR SAFER SIDEARMS™ JUNIOR

P/N 220

City Theatrical Safer Sidearms are CE certified and RoHS compliant.

© City Theatrical 2020. All Rights Reserved.



475 BARELL AVENUE, CARLSTADT, NJ 07072
800/230/9497 201/549/1160 201/549/1161 FAX
www.citytheatrical.com

Introduction:

Thank you for your purchase of the Safer Sidearm™ Junior.

The “Junior” is designed to be used as a retrofit addition to the traditional theater sidearm. The Junior provides the missing structural component in a sidearm, a diagonal brace.

Instructions:

The Safer Sidearm Junior is a very simple piece of equipment. To install it on the traditional sidearm, remove either the sliding tee or the C clamp, whichever is easier. Once the C-clamp (or sliding tee) is removed, slide the ½” Schedule 40 steel pipe through the Safer Sidearm Junior. The Stirrup, the “V” at the bottom, should face the C clamp end. Reinstall the C clamp or sliding tee and the cotter pin. Then you are ready to use this improved sidearm.

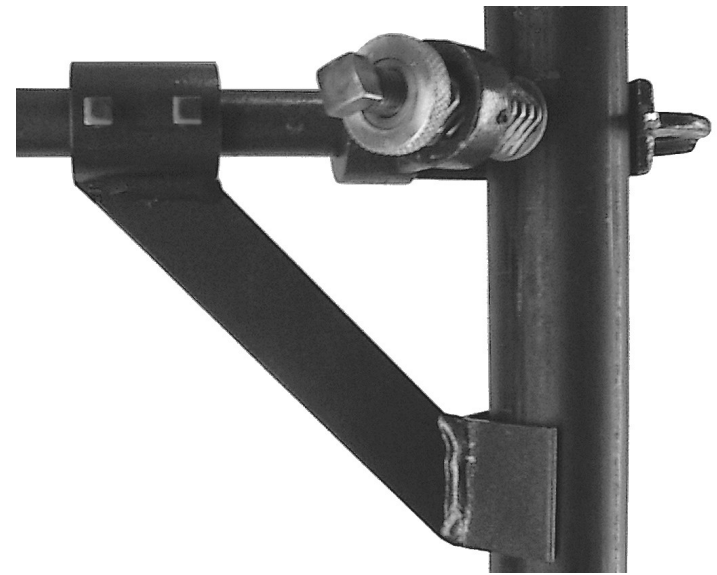
Mounting the Safer Sidearm is simple: Mount the sidearm on a boom pipe as per your normal operation. Tighten the C-clamp and then slide the Junior along the ½” Schedule 40 steel pipe until the “V” is against the boom pipe.

If the ½” Schedule 40 steel pipe is not level, level it and then tighten the bolt of the Safer Sidearm Junior against the ½” Schedule 40 steel pipe. The Junior should now be helping to support the weight of the lighting unit(s).

Safe Working Load (SWL) for Safer Sidearm Junior (P/N 220) is 50 lbs.

MODEL 220 SAFER SIDEARM JUNIOR

Uses ½”
Schedule
40 steel
pipe



Mounts to
1½” Schedule
40 steel pipe