

Revolutionary Lighting Solutions

Film & Video



Multiverse®
Studio

CITY
THEATRICAL

NEW YORK • LONDON

An Environmental Lights Company

Made in USA



Multiverse Studio: Next Gen Wireless DM for Film

After 20 years of pioneering wireless DMX and RDM for entertainment lighting, City Theatrical has developed its revolutionary **Multiverse® wireless DMX/RDM system** broadcasting as many as 10 universes of DMX data from a single transmitter, with the ability to use less radio energy than present-day single universe systems.

Multiverse marks our fifth generation of engineering development.

All previous wireless DMX control systems have suffered from a basic limitation: they are only able to transmit and receive a few universes of DMX data before their radio energy overpowers the spectrum and prevents their signals, and the signals of other devices in the venue, from accomplishing their mission. With this constraint, large scale multiple universe wireless systems simply have not been possible to achieve. In addition, the broadcast spectrum in which DMX systems operate has become overcrowded with other radio signals causing additional interference issues.

Faced with these challenges, we began to plan a new system of wireless lighting control that could be scaled up to unprecedented levels without overpowering the spectrum. Our mission therefore was to be able to deliver more data using less radio energy.

Solution: Multiverse Module

We achieved our goal with the creation of our Multiverse Module. Every product in the Multiverse wireless DMX system is built around these tiny circuit board mounted devices, as an embodiment of this breakthrough technology.



Multiverse Studio, Designed for Film & Video

Multiverse wireless DMX/RDM technology is now available for film & video projects in the line of Multiverse Studio products, including the Multiverse Studio Receiver, Multiverse Studio Kit, and Multiverse Studio Add On Kit, available in dual band 900MHz/2.4GHz for North America, and 2.4GHz band for use worldwide.

Key Multiverse Features and Benefits for Film & Video projects:

Flexibility & Scalability

Multiverse components can be set up as single or multiple universe configurations. Using our plug and play Multiverse SHoW Baby® or Multiverse Nodes, single universe systems can be created quickly and easily. Using a single Multiverse Transmitter, you can create a system of up to 10 universes.

Ease of Use

Components are easily set up and users can configure their system (depending on model) by its onboard user interface, by RDM, or with City Theatrical's USB Configurator Program, and then control its fixtures using DMX, Streaming ACN, or Art-Net (again depending on model).

2.4GHz & 900MHz Operation

2.4GHz operation is usable worldwide, and for the first time, Multiverse users in North America can use a combination of 2.4GHz and 900MHz frequencies. (Note: 900MHz is not licensed for use outside of North America.)

PoE (Power over Ethernet)

Power the Multiverse Transmitter and receive sACN at the same time, without a power cord or external DC adaptor.

Backwards Compatibility

Multiverse SHoW Baby and Multiverse Node can be used seamlessly with highly popular legacy wireless DMX products, including SHoW DMX SHoW Baby® and SHoW DMX Neo®.

RadioScan® Spectrum Analyzer

RadioScan can help improve all Multiverse broadcasts by helping the user select the optimum area in the spectrum to place their broadcast. RadioScan coordinates with Multiverse to help select SHoW IDs.

DMXcat® Multi Function Test Tool

The multi award-winning DMXcat makes it easy for anyone to troubleshoot wireless DMX/RDM systems and to control, analyze, or test any DMX lighting fixture, whether it's a simple LED PAR or a complex moving light.

Multiverse technology is covered by U.S. Patents #7,432,803 B2, #10,129,964 B1, and other patents pending.

The 900MHz band is licensed for use in North America only.



More Data
Using Less
Radio Energy

A close-up photograph of a black wireless DMX receiver module. The device features a prominent black antenna extending to the right. Several blue LEDs are illuminated, with one being particularly bright. The background is a warm, out-of-focus orange-brown color. A semi-transparent black rectangle is overlaid on the center of the image, containing the text "Wireless DMX" in white.

Wireless DMX

Multiverse® Studio Receiver

(P/Ns 5904; 5905)



The **Multiverse® Studio Receiver** brings the advanced features of the Multiverse wireless DMX/RDM system to the film and video world, where fast setup and reliability are key objectives. The weather resistant Multiverse Studio Receiver contains a long-life lithium-ion polymer battery giving 20 hours of use. The Multiverse Studio Receiver has a full four button user interface with a backlit LCD display that makes setup easy and gives feedback on system performance.

The 5904 Multiverse Studio 900MHz/2.4GHz contains two radios, 2.4GHz (for worldwide use) and 900MHz (for use in the Americas only), which allow the user to select which single universe to receive, and which radio band to use via the Multiverse SHoW ID. The 5905 Multiverse Studio 2.4GHz is available for worldwide use in the 2.4GHz band.

The DMX corded connector allows the Multiverse Studio Receiver's external antenna to hang below the lighting fixture, giving improved data fidelity.



SPECIFICATIONS:

P/N	Frequency	Universes
5904	900MHz/2.4GHz	1
5905	2.4GHz	1

Physical

Length	95.25mm (3.75 in)
Length with Antenna	139.7mm (5.5 in)
Width	46.0mm (1.812 in)
Height	25.4mm (1.0 in)
Antenna - P/N 5904	Dual band 900MHz / 2.4GHz 1.8dBi / 3.8dBi
Antenna - P/N 5905	2.4GHz 3.8dBi
User Interface	4 Button/Backlit LCD display
Construction	ABS plastic

Electrical

Power	Internal battery; included external power supply 100-240VAC input, 5VDC output
Battery	Internal lithium-ion polymer, 20-hour life on default operating settings
Charge time	- Contactless charger: 3.5 hours - USB-C: 2.5 hours

Radio Technology

Latency	4 ms average
RF Sensitivity	-95dBm
Loss of Data Behavior	Output stops
Broadcast Power	3.2mW, 10mW, 32mW, 100mW EIRP
Broadcast Modes	Adaptive, Full, Low, Mid, High, Max
Show IDs	5904: Multiverse: 307; Neo: 70 5905: Multiverse: 217; Neo: 70
RDM Features	RDM Proxy, RDM Responder

Product Information

Use Environment	Indoor, Outdoor (splashproof, not for permanent outdoor use)
IP Rating	IP61
Compliance	5904: FCC, IC 5905: FCC, IC, CE, RoHS
Warranty	One year

Multiverse® Studio Kit

(P/Ns 5938; 5939)



SPECIFICATIONS:

P/N	Frequency	Universes
5938	900MHz/2.4GHz	1 - 9
5939	2.4GHz	1 - 10

Product Information

IP Rating	IP20
Compliance	FCC, IC, cETLus Listed
Warranty	One year

The **Multiverse® Studio Kit** brings the advanced technology of the Multiverse wireless DMX/RDM system to the film and video world, featuring weather resistant Receivers with 20 hour battery life and contactless charging in an easy to use kit. The Multiverse Studio Kit includes: six battery powered Multiverse Studio Receivers, one Multiverse Transmitter with hanging bracket and clamp (for multi universe broadcasts), one Multiverse Node with hanging bracket and clamp (for single universe broadcasts), one DMXcat Multi Function Test Tool (to turn on and troubleshoot any lighting fixture on set), one RadioScan Spectrum Analyzer (for broadcast planning), and various accessories to keep your equipment organized and charged. The Multiverse Studio Kit provides all the tools lighting technicians need to quickly plan, setup, and operate wireless DMX/RDM on set.

KITS INCLUDE:

Quantity	Product Name	Model in 5938 Kit:	Model in 5939 Kit:
6	Multiverse® Studio Receiver	5904	5905
1	Multiverse Transmitter, with mounting bracket	5910	5911
1	Multiverse Node, with mounting bracket	5902	5903
1	DMXcat® Multi-Function Test Tool	6000	
1	RadioScan™ Spectrum Analyzer	5988	
6	USB-A to USB-C cable, 1m	5987	
2	Power Cord, PowerCON True 1, 8' long	5940	
2	Mounting Clamps (attached to Multiverse Transmitter and Multiverse Node)	5932	
1	Pelican case with contactless charging	5976	
6	Power Supplies, 100-240VAC input, 5VDC output	5969	none
1	USB flash drive with product manuals, software, and other information	included	



Multiverse Studio Receivers charging in the Multiverse Studio Kit.



Multiverse® Studio Add On Kit

(P/Ns 5940; 5941)



The **Multiverse® Studio Add On Kit** brings the advanced technology of the Multiverse wireless DMX/RDM system to the film and video world, featuring weather resistant wireless DMX receivers with 20 hour battery life and contactless charging in an easy to use kit.

Just drop the Multiverse Studio Receiver onto its slot in the case, and it will begin charging. Individual chargers and USB cables are also included to enable charging or powering individual units outside the case.

The Multiverse Studio Kit provides six additional Multiverse Studio Receivers for users to expand upon their full Multiverse Studio Kits.



Multiverse Studio Add On Kit, 900MHz/2.4GHz (P/N 5940, left) and the Multiverse Studio Kit, 900MHz/2.4GHz (P/N 5938, right).

SPECIFICATIONS:

P/N	Frequency	Universes
5940	900MHz/2.4GHz	1 - 9
5941	2.4GHz	1 - 10

Product Information

IP Rating	IP20
Compliance	FCC, IC, cETLus Listed
Operating Temperature	0° to 40°C when charging
Warranty	One year

KITS INCLUDE:

Quantity	Product Name	Model in 5938 Kit:	Model in 5939 Kit:
6	Multiverse® Studio Receiver	5904	5905
6	USB-A to USB-C cable, 1m	5987	
2	Power Cord, PowerCON True 1, 8' long	5940	
1	Pelican case with contactless charging	5976	
6	Power Supplies, 100-240VAC input, 5VDC output	5969	none



10:00



DMXcat-E



DMX
Controller



Fixture
Controller



DMX
Tester



RDM
Controller



DipSwitch
Calculator



Time Code



MIDI



Ethernet



Cable
Testing



PoE Tester



Share Files



DMXcat® Info

Test Tools

RadioScan® Spectrum Analyzer

(P/N 5988)

RadioScan®



SPECIFICATIONS:

Physical	
Frequency	902-928MHz and 2.4-2.483GHz
Length / Width	50 mm (2.0 in)
Length with Antenna Fully Extended	188.9 mm (7.437 in)
Depth	13 mm (0.5 in)
Antenna	Detachable external omni-directional broadband, 2dBi 900MHz, 4dBi 2.4GHz
Construction	NEMA 4 IP20 ABS Plastic
Power/Data Connector	USB-C with 1m (39.37") USB-A to USB-C cable

RadioScan® Spectrum Analyzer (P/N 5988) is a 900MHz and 2.4GHz spectrum analyzer (includes a RadioScan hardware dongle and accompanying free RadioScan software) that enables you to easily visualize radio energy that is otherwise invisible to you. Using RadioScan helps you to create a broadcast plan that optimizes available spectrum in your area, and helps prevent interference with other mission critical radio devices near you.

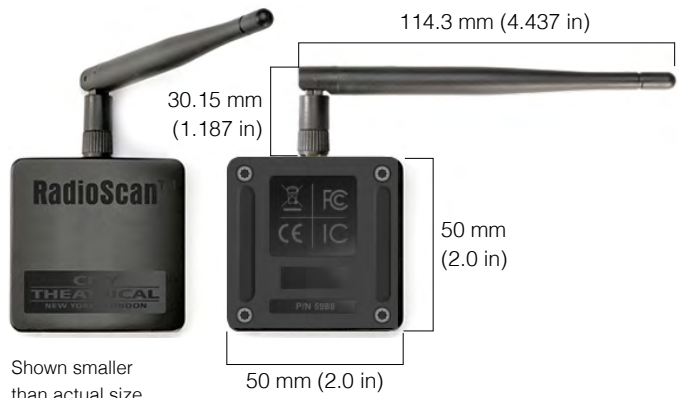
RadioScan shows all radio activity near you in your chosen frequency, including frequency hopping gear like wireless DMX, as well as Wi-Fi networks, Bluetooth, wireless headsets, video transmitters, cordless phones, baby monitors, and microwave ovens. RadioScan can view spectrum data either in Spectrogram view or Waterfall view, notes can be added, and snapshots can be taken and saved. Scans of any length can be recorded, saved, and emailed, and can be played back and reviewed by others with just the free RadioScan software, without the need for the RadioScan hardware dongle.

By identifying SSIDs, broadcast channel, and the signal strength of wireless networks, RadioScan can help IT departments setup, maintain, and troubleshoot their wireless installations.

For users of City Theatrical [Multiverse® wireless DMX/RDM](#) products, RadioScan will guide you in creating the optimum broadcast plan for your production.



RadioScan is compatible with both PC and MAC. RadioScan software is available as a free download at: citytheatrical.com/products/radioscan (Scroll down to the Downloads tab.)



Shown smaller than actual size.

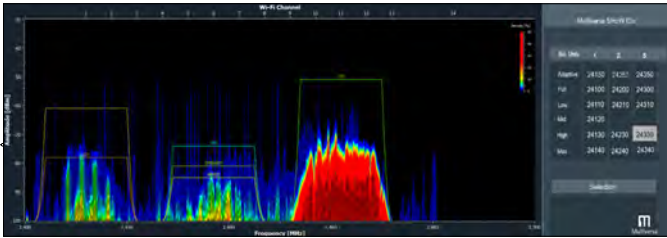
SPECIFICATIONS: (Continued)

Computer Requirements

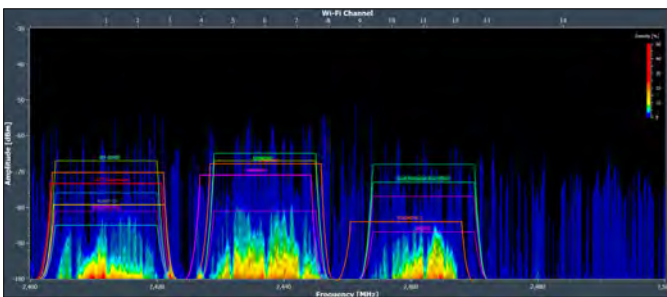
Operating System	Windows 10 / Mac OS 10.15 or higher
Display Resolution	800x600
Wi-Fi Radio	Internal or USB Wi-Fi adaptor
USB Port	1.1 or better
RAM	4GB

Product Information

Configuration	City Theatrical RadioScan software program
Use Environment	Indoor
Warranty	One year
Manufacturing Origin	USA
Compliance	FCC, IC, CE, RoHS

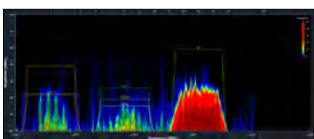


Multiverse SHoW ID Selector

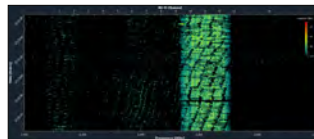


Identify SSID and Signal Strength of Wi-Fi Networks

View Options:



Spectrogram



Waterfall

FEATURES:

- 900MHz and 2.4GHz spectrum analyzer with dual band antenna
- Finds all radio activity nearby in chosen spectrum
- Identifies SSID and signal strength of Wi-Fi networks
- Shows either Spectrogram or Waterfall view
- Can record and play back scans of unlimited length
- Takes and saves snapshots
- Records text notes on scans
- Prompts Multiverse SHoW IDs
- Compatible with PC and Mac computers (USB to USB-C cable provided)
- Designed and built in the USA by City Theatrical



As the modern lighting industry evolves, there is an increasing need for test tools that include not only DMX and RDM capabilities, but also various ethernet protocols. As lighting manufacturers implement RDM Net, sACN, Art-Net, and other ethernet protocols, the **DMXcat-E®** is an essential tool for the future of lighting.

The DMXcat-E makes it easy for anyone to control, analyze, or test any DMX or ethernet lighting fixture, whether it's a simple LED PAR or a complex moving light. Like our original DMXcat, the DMXcat-E system is comprised of a hardware device and a suite of free mobile apps which are installed on a user's smart phone.

The DMXcat-E dongle and the user's smartphone communicate wirelessly using Bluetooth 4.0 technology. With a working range of 100 feet or more, and without being physically connected, users can move about the workspace and use various apps while still using the phone for on-the-job communication.

DMX or Ethernet

Easily carried in a pocket, worn on a belt, or in the pouch, the compact and lightweight device is connected to any point in a DMX chain using its five pin XLR female connector or an ethernet network using the EtherCon port.

Battery

The charge on the DMXcat-E's battery will last over 12 hours and is recharged using a standard USB to USB-C cable and charger.

Suite of Apps, Loved and New

The suite of apps includes those apps also found when using the DMXcat, including: DMX Controller, Fixture Controller, DMX Tester, RDM Controller, and Dip Switch Calculator, as well as five new apps, which include: Timecode, MIDI, Ethernet, Cable Testing, and PoE Testing.



Timecode and MIDI Apps

The Timecode app allows users to view both SMPTE/LTC as well as MIDI timecode. This is especially helpful for audio and video timings. When using the MIDI add, the user will be able to view MIDI timecode in real time.

In addition, users can bookmark "cues" to save and view them later. Upon clicking "Bookmark", the time and cue number appear. Users can also rename cues as you bookmark them. Once you bookmark all your cues, you can save them. They can then be uploaded as a saved file.

Users are also able to view the live timecode in SMTE/LTC. You can bookmark, rename, and save cues to look back at later.

We can also view MIDI data coming in through your network on the MIDI app. As soon as you select "Start", you can see MIDI messages in real time.

Other Features

The DMXcat-E unit ships with a charging cable, pouch, and a belt clip with a safety point. The DMXcat-E dongle includes a pouch, built-in flashlight, and an audible device finder for locating a misplaced unit.

The DMXcat-E allows anyone with a smart phone to be able to turn on any DMX lighting fixture, as well as perform a wide range of tests and DMX analysis.

Getting Started

To begin using the DMXcat-E, you will need to pair your phone with the DMXcat-E dongle. Note that your serial number is on the back of your DMXcat-E. Turn on your app, then turn on your dongle. Go to Settings, and Device list. Your dongle will be shown. Choose it, and you are linked. Your phone and dongle will link automatically after this.

Available to Download Free

DMXcat-E works with both Android and iPhone. The DMXcat app can be downloaded for free from the Google Play Store and Apple App Store, and adds DMXcat-E apps when connected to a DMXcat-E dongle.

DMX Controller

The DMX Controller app is a flexible and feature rich means for controlling 512 channels of DMX data. Two different user interfaces are included. The first emulates a conventional slider control arrangement such as is found on many simple manual lighting controllers. Touch and swipe gestures control the various level adjustments. Users can work with and easily switch between screens displaying 8, 64, or 512 (Live View) channels of information. For those who prefer a numeric based interface similar to what is found on a full sized lighting console, command line instructions can be input using familiar keypad and thumbwheel controls. An active 16 channel display provides current channel status. With either interface, users can adjust/work with individual or ranges of channels, record and play presets, customize names, and display levels as %, decimal, or hex values.

Fixture Controller

The Fixture Controller app has been designed to serve as a setup and test tool for the vast selection of lighting fixtures in use today. Many of today's moving light fixtures use over 40 channels of DMX control data, and can be configured to operate in a dozen or more modes (profiles). This can make it difficult to identify a particular channel's function when setting up or testing a fixture with a small DMX controller. Using an extensive built in database of manufacturers, fixtures, and operational profiles, users can easily select and assign the fixture's attributes and starting address, and a control interface specific to the fixture is displayed for testing its features. The various fixtures/personalities may be saved as "favorites" for future reference.

This app also offers a Multi Fixture feature, with which users can group and control multiple lighting fixtures at once to save time and improve workflows.

DMX Tester

Connect the DMXcat to a point in a DMX data chain and view DMX information and levels. Parameters of the controller's transmitted DMX signals may be adjusted and parameters of received DMX signals may be analyzed including: Break Time, Mark After Break, Inter-slot, Mark Before Break, Number Of Slots, and Refresh Rates. A Flicker-Finder function is included for identifying intermittent problems within the data network. The View Level function shows real time DMX levels sent from a console.

Timecode NEW

Timecode is an application designed to verify the Timecode signal coming from a Timecode Generator, or from MIDI or SMPTE. This app allows users to make a click track that can be uploaded to the lighting console.

Ethernet NEW

The Ethernet app allows users to view the sources on the lighting network, such as consoles and button stations. It allows users to ping devices on the network, or make a list of IP address and ping them all at once. The Ethernet app is also where users can change IP settings.

Cable Testing NEW

The Cable Testing app works in two ways:

- For 5-pin DMX, users can use the two DMX connectors on the device to test DMX cable.
- For Ethernet, users just plug in one end and it will verify the cable is wired correctly, as well as tell you the cable length.

PoE Tester NEW

The PoE Tester app allows users to see the voltage(s) on the RJ45 cable. The PoE Tester also specifies the classification of the attached network switch.

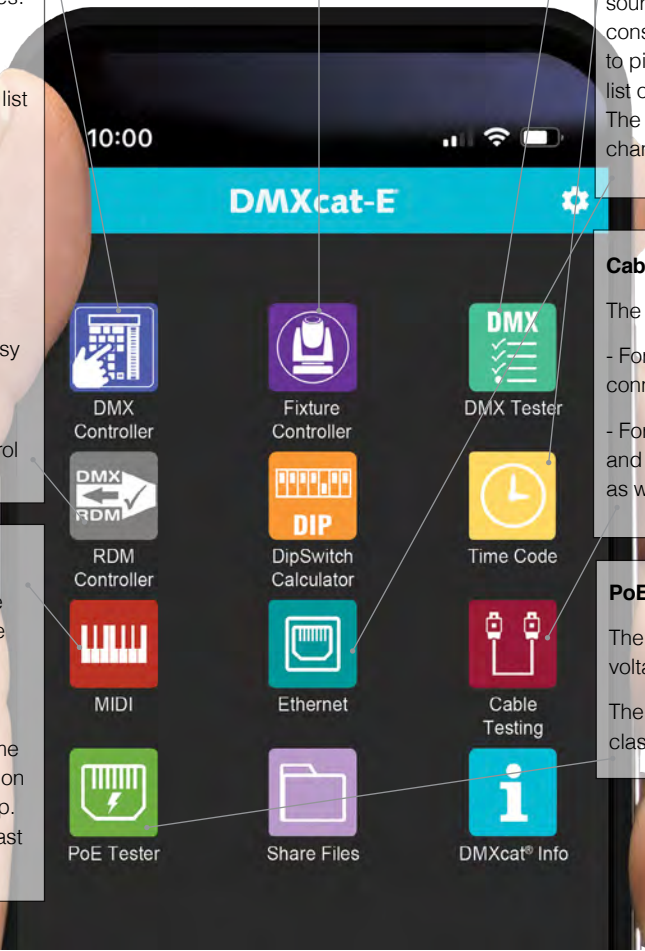
RDM Controller

The RDM Controller is an application designed to control RDM enabled fixtures. Features include:

- Control & monitoring of RDM devices
- Full discovery- detects and generates a list of all RDM devices.
- Detects all sub devices for a selected device
- Shows all supported parameters
- Shows descriptions for all PIDs
- GET and SET for all PIDs (even user defined)
- Monitors fixtures for any sensors with easy to view info.
- When connected to an RDM enabled fixture, DMXcat identifies the fixture's address and attributes and loads its control interface automatically.

MIDI NEW

If you're using Timecode, you can see the time that's on the wire on your screen. The MIDI app provides users with a "sanity check" to make sure you're seeing what you're supposed to see on the wire. The MIDI app also shows you what time it came in as well. For instance, if you play a note on a keyboard, you can see it in the MIDI app. If you leave it plugged in, it'll tell you the last time it saw MIDI.



DMXcat® Multi Function Test Tool

(P/N 6000)

DMXcat®
CONTROL ANALYZE TEST



City Theatrical's multi award-winning DMXcat® makes it easy for anyone to control, analyze, or test any DMX lighting fixture, whether it's a simple LED PAR or a complex moving light. DMXcat consists of a small hardware dongle and a suite of mobile applications. Together, they combine to bring wireless DMX and RDM control plus several other useful functions to the user's smartphone. DMXcat solves the problem faced by all users of modern lighting equipment: How to turn on a test DMX lighting gear without using a complicated lighting console. DMXcat works with Android and iPhone.

Hardware

DMXcat's interface device is a compact battery powered unit that fits easily in a pocket or tool pouch or may be worn on a belt. It uses Bluetooth LE technology for communication with the smartphone/applications (up to 50' range). Without being physically connected, the user can move about the workspace and operate the various apps while still using the phone for on-the-job communication. The device's five pin XLRF connector/cable assembly allows it to be connected to any point in a DMX data chain to allow testing and or control of the various DMX/RDM slot functions. It is charged using a standard USB to Micro-USB cable and charger.

Other features include a built-in LED flashlight, an audible alarm (for locating a misplaced unit), an LED Status indicator, an XLR5M to XLR5M Turnaround, and a removable belt clip. Optional accessories include: XLR5M to RJ45 Adapter, XLR5M to XLR3F Adapter, XLR5M to XLR3M Turnaround, and Belt Pouch.



Software Applications

The DMXcat app, which includes eight modules - DMX Controller, Fixture Controller, DMX Tester, RDM Controller, DIP Switch Calculator, Light Meter (Android only), RF Spectrum Analyzer (Android only), and Multiverse Transmitter (shown only when connected to a Multiverse Transmitter) - is available through Google Play for Android, the App Store for iPhone, and Amazon.com for Amazon Fire.



DMXcat is available in seven languages: Spanish, French, German, Italian, Korean, Japanese, and English, depending on your mobile phone's native language setting.

SPECIFICATIONS:

Part Number	6000
Wireless Communication	Bluetooth LE
Range	50' (15m)
Status LED Indicator	Yes, multicolor
Flashlight	White LED
Charging Port	Micro USB
DMX Connection	XLR5F
Battery Run Time	20 hours
Charge Time	8 hours
Apps	8 on Android and 6 on iOS, as follows: DMX Controller, Fixture Controller, DIP Switch Calculator, DMX Tester, RDM Controller, Multiverse Transmitter (shown only when connected to Multiverse Transmitter), Light Meter (Android only), RF Spectrum Analyzer (Android only)
Construction	NEMA 1 ABS enclosure
Compliance	CE, RoHS, FCC
Weight	0.3 lbs (0.14 kg)
Dimensions (L x W x H)	3.75" (95.3mm) x 1.63" (41.4mm) x 0.94" (23.9mm)

DMXcat is covered by U.S. Patent # 10,129,964 and other U.S. and foreign patents pending.



LED Strip Light and Drivers

UL US
LISTED
E345867
LOW VOLTAGE LUMINAIRE

UL US
LISTED
E345867
LOW VOLTAGE LUMINAIRE

UL US
LISTED
E345867
LOW VOLTAGE LUMINAIRE

+24V
+24V
R
R
C
C

Eluxtra™

Eluxtra™ 5-in-1 LED Strip Light RGBTW & RGBWA, 24V

NEW

RGB-5050-60-24V-X, RGBX-5050-60-24V-X
RGB-5050-60-24V-B-X, RGBX-5050-60-24V-B-X



PRODUCT DESCRIPTION

Eluxtra™ 5-Color LED Strip Lights deliver extremely versatile, high quality, fully controllable lighting. These strips feature a high lumen output and 95+ CRI, ensuring exceptional on-camera color rendition and ultimate color control for professionals.

With 5 LEDs packaged on a single node, these strip lights offer a nearly endless color palette to choose from. It combines RGB with tunable white diodes to enable the ability to match existing light sources seamlessly.

5-Color LED Strip Lights are compatible with DMX decoders and control systems. They are a great option for illuminating spaces in scenic, retail, residential construction, and film applications.

Ideal Application: Ideal choice for illuminating scenic environments, retail spaces, home and commercial construction, and many other applications.

PRODUCT FEATURES

- 5-in-1 chip enables previously unattainable colors
- Seamless blending of RGB and 2400K-6500K, 65K or Amber
- Available in IP65 waterproof
- CRI 95+
- Available in Black and White PCB
- UL Listed and RoHS certified

TECHNICAL SPECIFICATIONS

	White Finish		Black Finish	
Product Number	RGB2465K-5050-60-24V-5m	RGBA65K-5050-60-24V-5m	RGB2465K-5050-60-24V-B-5m	RGBA65K-5050-60-24V-B-5m
Ambient Temperature	-20°C to 40°C	-20°C to 40°C	-20°C to 40°C	-20°C to 40°C
Average Lifetime	50,000 hours	50,000 hours	50,000 hours	50,000 hours
Beam Angle	120°	120°	120°	120°
Brightness	95/270/50/185/235 lm/m	85/260/50/70/220 lm/m	92/262/49/180/228 lm/m	83/252/49/68/213 lm/m
Color Detail	Red, Green, Blue, 2400K, 6500K	Red, Green, Blue, Amber, 6500K	Red, Green, Blue, 2400K, 6500K	Red, Green, Blue, Amber, 6500K
Density	60 LEDs/meter	60 LEDs/meter	60 LEDs/meter	60 LEDs/meter
Height	0.08 in (2 mm)	0.08 in (2 mm)	0.08 in (2 mm)	0.08 in (2 mm)
Input Current	3855 mA	3855 mA	3855 mA	3855 mA
Input Voltage	24 DC	24 DC	24 DC	24 DC
IP Rating	IP20	IP20	IP20	IP20
Lead Detail	Bare Wire / 200 mm (both)	Bare Wire / 200 mm (both)	Bare Wire / 200 mm (both)	Bare Wire / 200 mm (both)
LED Node Size	5050	5050	5050	5050
Length	16.4 ft (5 m)	16.4 ft (5 m)	16.4 ft (5 m)	16.4 ft (5 m)
Min. Cutting Increment	3.94 in [100 mm]	3.94 in [100 mm]	3.94 in [100 mm]	3.94 in [100 mm]
Power (Watts/ft)	5.6 Watts/ft	5.6 Watts/ft	5.6 Watts/ft	5.6 Watts/ft
Power (Watts/m)	18.5 Watts/m	18.5 Watts/m	18.5 Watts/m	18.5 Watts/m
Regulatory	UL, RoHS	UL, RoHS	UL, RoHS	UL, RoHS
Warranty	5 Years Limited	5 Years Limited	5 Years Limited	5 Years Limited
Width	0.47 in (12 mm)	0.47 in (12 mm)	0.47 in (12 mm)	0.47 in (12 mm)

Eluxtra™ products are exclusively available for purchase through Environmental Lights and City Theatrical.



Environmental Lights
888-880-1880
contactus@environmentallights.com



City Theatrical
US: 800-230-9497 / sales@citytheatrical.com
UK: +44 (0)20 8949 5051 / salesuk@citytheatrical.com

Eluxtra™

Eluxtra™ 4-in-1 LED Strip Light

NEW

RGBW, RGBA & RGBI, 24V

RGBXXK-5050-60-24V-XX, RGBX-5050-60-24V-XX



PRODUCT DESCRIPTION

Eluxtra™ 4-Color LED Strip Lights feature a high lumen output, 90+ CRI, and four LEDs conveniently packaged on one node. This additional diode unlocks an incredibly wide spectrum of vibrant colors and rich hues that were previously unattainable with standard RGB strips.

Ideal Application: Ideal for film and video projects as well as scenic, retail environments, home and commercial AV integration, and many other applications.

PRODUCT FEATURES

- 4-in-1 chip enables previously unattainable colors
- Seamless blending of RGB and 2700K, 6500K, Amber or Indigo
- Available in IP65 waterproof
- UL Listed and RoHS certified

TECHNICAL SPECIFICATIONS

Product Number	RGB27K-5050-60-24V-5m	RGB65K-5050-60-24V-5m	RGBA-5050-60-24V-5m	RGBI-5050-60-24V-5m
Ambient Temperature	-20°C to 40°C	-20°C to 40°C	-20°C to 40°C	-20°C to 40°C
Average Lifetime	50,000 hours	50,000 hours	50,000 hours	50,000 hours
Beam Angle	120°	120°	120°	120°
Brightness	110/305/75/285 lm/meter	110/315/75/335 lm/meter	115/340/65/110 lm/meter	110/340/70/50 lm/meter
Color Detail	Red, Green, Blue, 2700K White	Red, Green, Blue, 6500K White	Red, Green, Blue, Amber	Red, Green, Blue, Indigo
Density	60 LEDs/m	60 LEDs/m	60 LEDs/m	60 LEDs/m
Height	0.08 in (2 mm)	0.08 in (2 mm)	0.08 in (2 mm)	0.08 in (2 mm)
Input Current	3000 mA	3000 mA	3000 mA	3000 mA
Input Voltage	24 DC	24 DC	24 DC	24 DC
IP Rating	IP20	IP20	IP20	IP20
Lead Detail	Bare Wire / 200 mm (both)	Bare Wire / 200 mm (both)	Bare Wire / 200 mm (both)	Bare Wire / 200 mm (both)
LED Node Size	5050	5050	5050	5050
Length	16.4 ft (5 m)	16.4 ft (5 m)	16.4 ft (5 m)	16.4 ft (5 m)
Min. Cutting Increment	3.94 in (100 mm)	3.94 in (100 mm)	3.94 in (100 mm)	3.94 in (100 mm)
Power (Watts/ft)	4.4 Watts/ft	4.4 Watts/ft	4.4 Watts/ft	4.4 Watts/ft
Power (Watts/m)	14.4 Watts/m	14.4 Watts/m	14.4 Watts/m	14.4 Watts/m
Regulatory	UL, RoHS	UL, RoHS	UL, RoHS	UL, RoHS
Warranty	5 years limited	5 years limited	5 years limited	5 years limited
Width	0.47 in (12 mm)	0.47 in (12 mm)	0.47 in (12 mm)	0.47 in (12 mm)

Eluxtra™ products are exclusively available for purchase through Environmental Lights and City Theatrical.

Environmental
Lights™

Environmental Lights
888-880-1880
contactus@environmentallights.com

CITY
THEATRICAL
NEW YORK • LONDON
An Environmental Light Company

City Theatrical
US: 800-230-9497 / sales@citytheatrical.com
UK: +44 (0)20 8949 5051 / salesuk@citytheatrical.com

Eluxtra™

RGB 5050 LED Strip Light, 24 V NEW RGB-5050-60-24V-X



PRODUCT DESCRIPTION

Eluxtra™ RGB 5050 LED Strip Light features 60 LEDs per meter and RGB color mixing that enables you to effortlessly create millions of colors. It is an incredibly versatile product that can be controlled using any of our RGB controllers or dimmers. Run a full reel without any visible voltage drop or corresponding color changes along the length of the run.

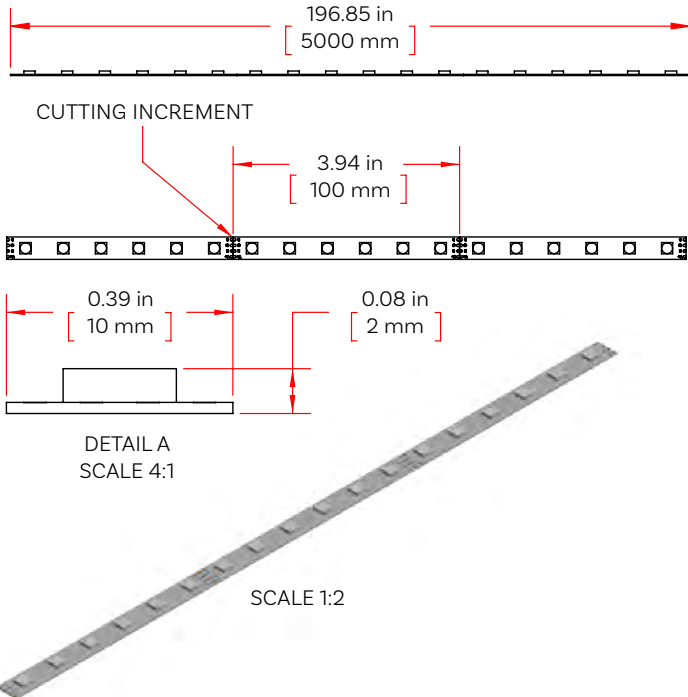
This high quality and dependable strip light is an ideal lighting solution for utilizing color in dynamic set designs, eye-catching retail displays, and so much more.

Ideal Application: Ideal for film and video projects as well as scenic, retail environments, home and commercial AV integration, and many other applications.

PRODUCT FEATURES

- RGB color mixing enables millions of unique colors
- IP65 waterproof option available
- UL Listed

MECHANICAL SPECIFICATIONS



TECHNICAL SPECIFICATIONS

Product Number	RGB-5050-60-24V-5m
Ambient Temperature	-20°C to 40°C
Average Lifetime	50,000 hours
Beam Angle	120°
Brightness	140/385/85 lm/meter
Color Detail	Red, Green, Blue
Density	60 LEDs/meter
Height	0.08 in (2 mm)
Input Current	3000 mA
Input Voltage	24 DC
IP Rating	IP20
Lead Detail	Bare Wire / 200 mm (both)
LED Node Size	5050
Length	16.4 ft (5 m)
Min. Cutting Increment	3.94 in (100 mm)
Power (Watts/ft)	4.4 Watts/ft
Power (Watts/m)	14.4 Watts/m
Regulatory	UL, RoHS
Warranty	5 years limited
Width	0.39 in (10 mm)

Eluxtra™ products are exclusively available for purchase through Environmental Lights and City Theatrical.



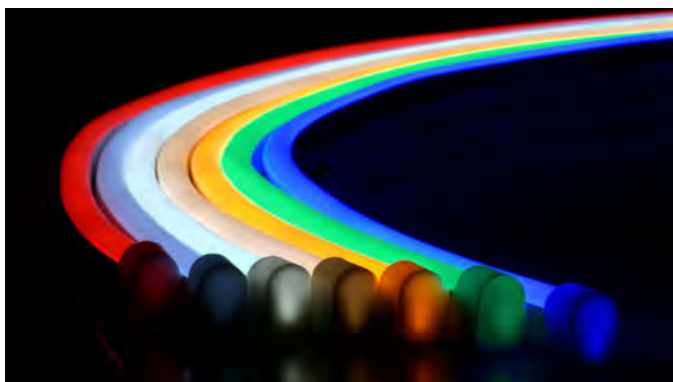
Environmental Lights
888-880-1880
contactus@environmentallights.com



City Theatrical
US: 800-230-9497 / sales@citytheatrical.com
UK: +44 (0)20 8949 5051 / salesuk@citytheatrical.com

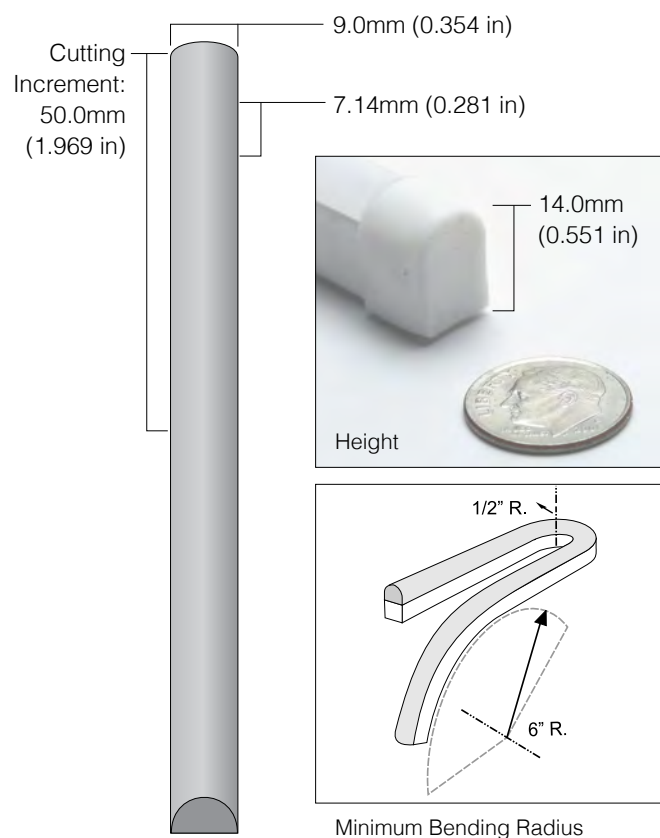
QolorFLEX NuNeon®

Tunable White HiQ High CRI:	N914-H6500 2700-5	Amber:	N914-A-10
Cool White:	N914-CW-10	Blue:	N914-B-10
Natural White:	N914-NW-10	Red:	N914-R-10
Warm White:	N914-WW-10	Green:	N914-G-10
		RGB:	N914-RGB-5



QolorFLEX NuNeon is a sealed LED linear product that is flexible and safe for indoor or outdoor use. QolorFLEX NuNeon can be cut to length and offers nearly the same visual impact as traditional blown glass neon without the problematic issue of installation and maintenance. QolorFLEX NuNeon operates on 24VDC and can be powered and controlled by a variety of QolorFLEX Dimmers and power supplies.

New **QolorFLEX NuNeon, Tunable White HiQ High CRI** (P/N N914-H27006500-5) is a sealed LED linear product that is flexible and safe for indoor or outdoor use. It offers exceptional on-camera color rendition with a color rendering index greater than 94, allowing lighting professionals to meet the needs of high quality film and video lighting.



QolorFLEX NuNeon® | HiQ

Physical

Length	5m (16.4 ft)	RGB & HiQ
	10m (32.8 ft)	All others
Height	14mm	(0.551 in)
Width	9mm	(0.354 in)
Cutting Increment	50mm	(1.969 in)
LED Spacing	7.14mm	(0.281 in)
Material	Silicone Extrusion	
Type	White Finish	
Connector Type	200mm long (7.874 in) jacketed cable on both ends, stripped 10mm and tinned	
Minimum Bending Radius	Flat plane:	1/2"
	Global axis:	6"

Output

Beam Angle	120°
Color Temperature and Lumens per meter for:	
Tunable White HiQ High CRI:	2700 K, 6500 K / 600 lm/m
Cool White:	6500 K / 650 lm/m
Natural White:	4000 K / 750 lm/m
Warm White:	2700 K / 750 lm/m
Wavelength and Lumens per meter for:	
RGB:	622/518/468 nm / 330 lm/m
Amber:	588 nm / 150 lm/m
Blue:	468 nm / 85 lm/m
Green:	518 nm / 650 lm/m
Red:	622 nm / 200 lm/m

Electrical

Operating Voltage	24VDC
Current	2.0A (RGB); 2.9A (Tunable White HiQ); 3.0A (Single Colors)
Power Consumption	58w/5m (RGB); 70w/5m (Tunable White HiQ); 72w/10m (Single Colors)
Density	140 LEDs/m
LED Type	3528 (RGB); 2835 (Tunable White; 1 Color)

Product Information

Use Environment	Indoor/ Outdoor
Average Life	50,000 hours
Warranty	Two years
IP Rating	IP67
Compliance	ETL, CE, RoHS

QolorFLEX® 5x2.5A Multiverse® Dimmer

(P/Ns 5942, 5943)



QolorFLEX®
PROFESSIONAL LED LIGHTING

SPECIFICATIONS:

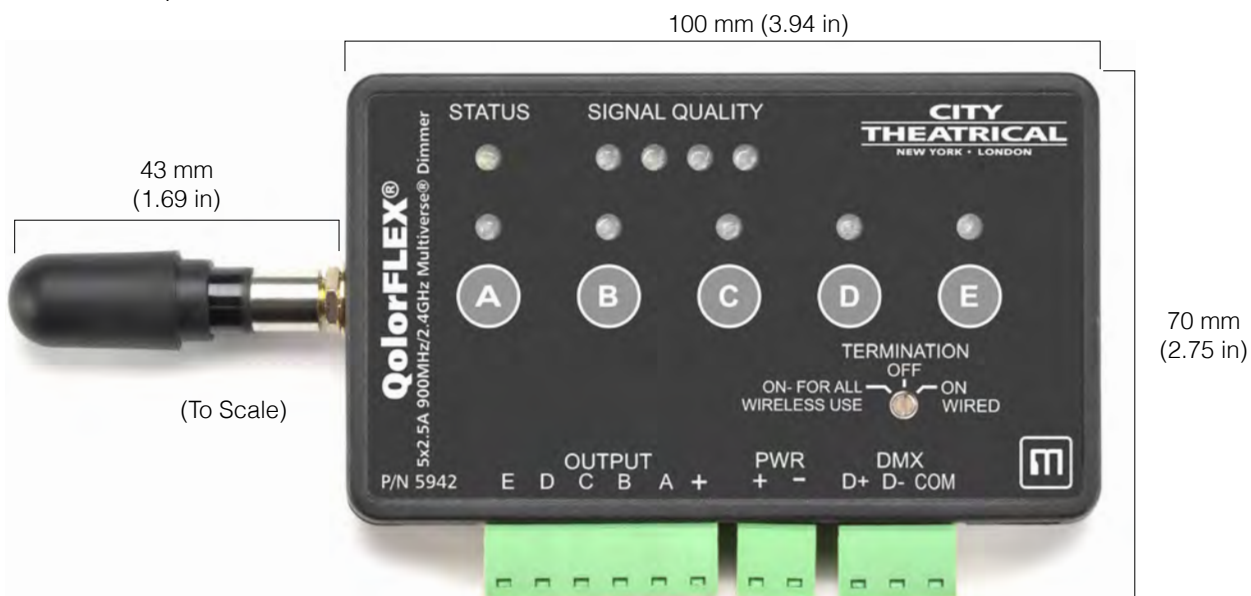
P/N	Frequency	Universes
5942	900MHz/2.4GHz	1
5943	2.4GHz	1

Physical		
Length	100 mm	(3.94 in)
with Antenna	143 mm	(5.63 in)
Width	59 mm	(2.31 in)
with Phoenix Connectors	70 mm	(2.75 in)
Height	16 mm	(0.63 in)
Weight	0.07 kg	(0.15 lbs.)
Construction	NEMA 4 IP20 ABS Plastic	
Connections	Pluggable connectors	
Mounting	Plastic bracket included	

Dimming Information	
Input Voltage Range	5 - 30 VDC
PWM Frequencies (Hz)	60, 1.2K, 2.4K, 5K, 12K, 24K, 50K
Power	4A/channel maximum; 12.5A total
Control Resolution	6 DMX Personality options, including: 8-bit (5ch), 16-bit (10ch), 8-bit Tunable White Single (2ch), 16-bit Tunable White Single (4ch), 8-bit Tunable White (4ch), 16-bit Tunable White (8ch)
PWM Resolution	20-bit

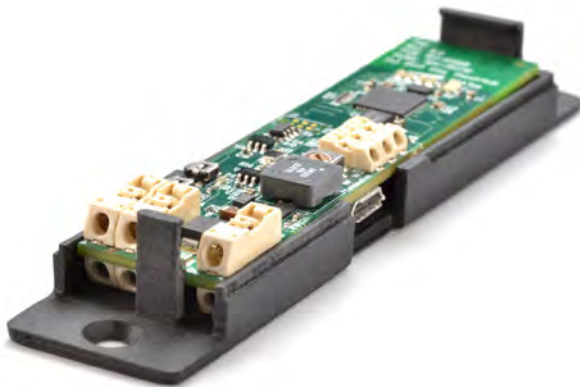


QolorFLEX® 5x2.5A Multiverse® Dimmers are constant voltage, five-output dimmers that can be controlled wirelessly using City Theatrical's Multiverse or SHoW DMX Neo wireless DMX/RDM technology, or with wired DMX. Each dimmer provides 20-bit PWM resolution and six DMX personality options (including: 8-bit (5ch), 16-bit (10ch), 8-bit Tunable White Single (2ch), 16-bit Tunable White Single (4ch), 8-bit Tunable White (4ch), and 16-bit Tunable White (8ch)) for extremely smooth dimming at the low end of the dimming curve. They use detachable input and output connectors to make wiring easy. Configuration is performed using RDM, such as with a City Theatrical DMXcat®, or with City Theatrical's USB Configuration program for PC/Mac. A mounting bracket is included with each dimmer to allow easy mounting to scenery. These dimmers are designed and built in the USA by City Theatrical, and pair perfectly with QolorFLEX 5-in-1 LED Tape for ideal use in props and costumes, or for areas where space is a concern.



QolorFLEX® 2x2.5A Multiverse® Dimmer

(P/Ns 5916, 5917)



QolorFLEX® 2x2.5A Multiverse® Dimmers are small, constant voltage, two-output dimmers designed to be mounted in small spaces such as props, costumes, wands, and candles. They can be controlled wirelessly using City Theatrical's Multiverse or SHoW DMX Neo wireless DMX/RDM technology, or with wired DMX. Each dimmer provides 20-bit PWM resolution and four DMX personality options (two variations of 8-bit and 16-bit control) for extremely smooth dimming at the low end of the dimming curve. Configuration is performed using RDM, such as with a City Theatrical DMXcat®, or with City Theatrical's USB Configuration program for PC/Mac. A plastic case is included with each QolorFLEX 2x2.5A Multiverse Dimmer to allow easy mounting to scenery while enabling removal of the dimmer from the case for wiring and configuration. These dimmers are designed and built in the USA by City Theatrical.

SPECIFICATIONS:

P/N	Frequency	Universes
5916	2.4GHz	1
5917	900MHz	1

Physical

Length (w/ plastic case)	108 mm	(4.125 in)
Board only	81 mm	(3.2 in)
Width (w/ plastic case)	22 mm	(0.875 in)
Board only	19 mm	(0.75 in)
Height	14 mm	(0.562 in)
Board only	10 mm	(0.38 in)
Weight	0.02 kg	(0.05 lbs.)
Connections	Low profile latch connectors	
Construction	NEMA 4 IP20 ABS Plastic	
Mounting	Screw holes in tabs on ends of plastic case	

Dimming Information

Input Voltage Range	5 - 30 VDC
PWM Frequencies (Hz)	60 incan, 1.2K LED, 1.2K candle, 2.4K LED, 5K LED, 12K LED, 24K LED, 50K LED
Power	4A/channel maximum; 5A total
Control Resolution	Four DMX personality options: 8-bit (5ch), 16-bit (10ch), 8-bit Tunable White Single (2ch), and 16-bit Tunable White Single (4ch)
PWM Resolution	20-bit

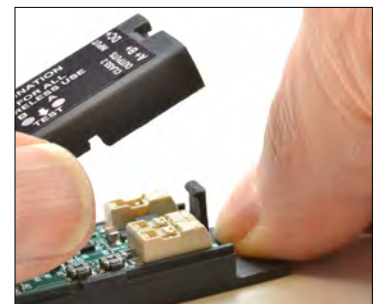


L: 108 mm
(4.125 in)

W:
22 mm
(0.88 in)

H:
14 mm
(0.56 in)

(To Scale)



QolorFLEX® Dimmers

(P/Ns 5809, 5810, 5823, 5825, 5821)

QolorFLEX®
PROFESSIONAL LED LIGHTING



QolorFLEX 5x8A Dimmers P/N 5809

QolorFLEX 5x8A Dimmers are low voltage, constant voltage, dimmers designed to operate perfectly with QolorFLEX LED tape for professional use, and can control a full 40A of LED tape spread 8A each. This allows the control of unique combinations of LED tape, such as QolorFLEX 5-in-1 LED Tape (five channels), RGBX tape (four channels), RGB tape (three channels), bi-color tape (two channels), and/or a single color tape (one channel) together in one unit. DMX/RDM control or stand alone mode. For indoor use. Requires an external power supply to suit the LED tape you are using.



QolorFLEX 24x3A Dimmers P/N 5810

QolorFLEX 24x3A Dimmers are low voltage, constant voltage, dimmers ideal for applications such as retail displays, signage, and general architectural work. They feature 24 channels of control and are ideal for 1, 2, 3 or 4 color LED tape installations. This dimmer is fully DMX and RDM compatible and offers stand alone functions. The maximum current load per channel is 3A with maximum device output of 72A. Requires an external power supply to suit the LED tape you are using. For indoor use.



QolorFLEX 4x5A DINrail RJ45 Dimmers P/N 5823

QolorFLEX 4x5A DINrail RJ45 Dimmers are low voltage, constant voltage, dimmers and can control a full 20A of LED tape spread over four channels of 5A each. The unit mounts to a standard hat section DINrail, and features two RJ45 connectors for DMX communication. Requires an external power supply to suit the LED tape you are using. For indoor use.



QolorFLEX 4x5A DINrail Dimmers P/N 5825

QolorFLEX 4x5A DINrail Dimmers are low voltage, constant voltage, dimmers and can control a full 20A of LED tape spread over four channels of 5A each. The unit mounts to a standard hat section DINrail, and has terminal blocks for all electrical and DMX connections. Requires an external power supply to suit the LED tape you are using. For indoor use.



QolorFLEX 4x5A Dimmers P/N 5821

QolorFLEX 4x5A Dimmers are low voltage, constant voltage dimmers, and can control a full 20A of LED tape spread over four channels of 5A each. The unit is easily surface mounted and has spring contact terminal blocks for all electrical and DMX connections. Requires an external power supply to suit the LED tape you are using. For indoor use.



**Beam
Control**

Beam Control Accessories: Achieve Your Vision

Since our inception over 35 years ago, City Theatrical has worked with lighting professionals to invent, manufacture, and customize high quality lighting accessories. Our mission is to create products that enable lighting professionals to achieve their artistic vision. Even a single lighting accessory, like Blacktak™ Light Mask Foil, Barndoors, Track Tamers™, or custom beam shapers, can help you make your next film project even better.



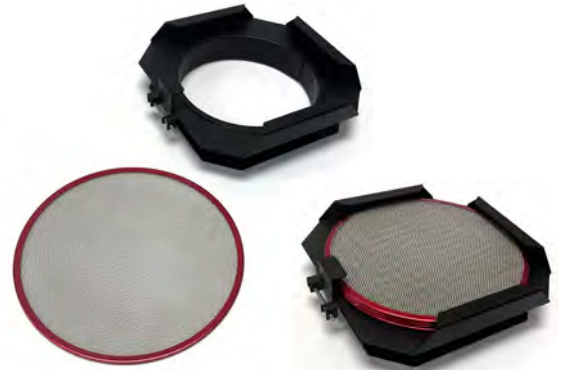
Blacktak Light Mask Foil



ColorForce Barndoors

Scrim Adapter

City Theatrical designed the Adapter, 6 1/4" to 6 5/8" Source Four to Scrim (P/N 1253) for the needs of film lighting projects. Use it to connect one or multiple scrims to an ETC Source Four lighting fixture (with an EDLT or Standard lens) in order to achieve the lighting looks desired for your film & video project. City Theatrical Adapters can help you extend the use of your stock.



Adapter, Source Four to Scrim, holding four scrims

Track Tamers

Load-rated Track Tamers separate the lockdown of the track from the lockdown of the lighting fixture, making the lighting technician's job faster and safer. Many lighting installations use Unistrut with Unistrut nuts, but Unistrut nuts are not designed to hang and focus lighting fixtures. Once loosened, a Unistrut nut can pop out of the track and leave you with a lighting fixture in your arms at the top of a lift or ladder.

City Theatrical Track Tamers' deep grooves grip the track tightly to prevent it from coming out, and separate the lockdown of the track from the lockdown of the lighting fixture. Track Tamers allow you to safely and quickly hang, slide to position, focus, and tightly lock a lighting fixture with no danger of it falling out of the track.



Track Tamers

Custom Beam Shapers

Need a beam control accessory for a moving light, ellipsoidal, LED PAR, or other lighting fixture? Our full line catalog may have it, but if not, our skilled metalworkers can quickly make it for you custom.



Custom manufactured Barndoors

Barndoors

City Theatrical's Barndoors have aluminum leaves for light weight and durability, and nylock nuts to enable the tension of the doors to be adjusted if wear occurs over time. Many have round frames that allow the doors to rotate to the optimum position.

City Theatrical Barndoors also include those designed to fit ETC fos/4 Panel and Fresnel light fixtures.



P/N Barndoors for ETC fos/4 fixtures

2631	ETC fos/4 Fresnel 5 Barndoor	NEW
2632	ETC fos/4 Fresnel 7 Barndoor (shown)	
2633	ETC fos/4 Fresnel 10 Barndoor	NEW



Light Leak Shields

To complement our Barndoors for ETC fos/4 Fresnel 7 and 10, City Theatrical developed the Light Leak Shield for ETC fos/4 Desire and Fresnel 7 (P/N 2632-LLS) and the Light Leak Shield for ETC's fos/4 Fresnel 10 (P/N 2633-LLS) to enhance the use of these Barndoors to control light spill with even greater precision.



P/N Light Leak Shields for Barndoors for ETC fos/4 Desire and Fresnel

2632-LLS	Light Leak Shield for ETC fos/4 and Desire Fresnel 7 (shown above, left)	NEW
2633-LLS	Light Leak Shield for ETC fos/4 and Desire Fresnel 10 (shown above, right)	NEW



P/N Barndoors for ETC fos/4 fixtures

2600	ETC fos/4 Panel Barndoor, P8
2602	ETC fos/4 Panel Barndoor, P16
2604	ETC fos/4 Panel Barndoor, P24 (shown)



City Theatrical's Multiverse Wireless DMX/RDM Technology comes as onboard technology in ETC fos/4 Panel light fixtures.

City Theatrical for Film & Video

Contact

Email:

sales@citytheatrical.com

Web:

www.citytheatrical.com

Phone:

USA: (800) 230-9497

Europe: +44 (0) 20 8949 5051



citytheatrical.com/film

Multiverse technology is covered by U.S. Patents #7,432,803 B2, #10,129,964 B1, and other patents pending.

DMXcat-E and DMXcat products are covered by U.S. Patent # 10,129,964 and other U.S. and foreign patents pending.

City Theatrical USA Office:
475 Barell Avenue, Carlstadt, New Jersey 07072 USA
(800) 230-9497 | (201) 549-1160 | Fax: (201) 549-1161
sales@citytheatrical.com

© 2024 City Theatrical, LLC. All Rights Reserved.